

# OG Series Datasheet

## WALL-MOUNTED SOLENOID-DRIVEN DOSING PUMP

### General Information

Mytho's OG Series is a dedicated solenoid-driven chemical dosing pump that has been developed especially for use in potentially explosive atmospheres, making it suitable for operation in mining, quarrying and oil and gas processes among others.

Built with an ultra-resilient IP65-rated stainless-steel body, the OG Series retains all the functionality of Mytho's solenoid-driven dosing range, including constant or proportional dosage functions and a digital interface.

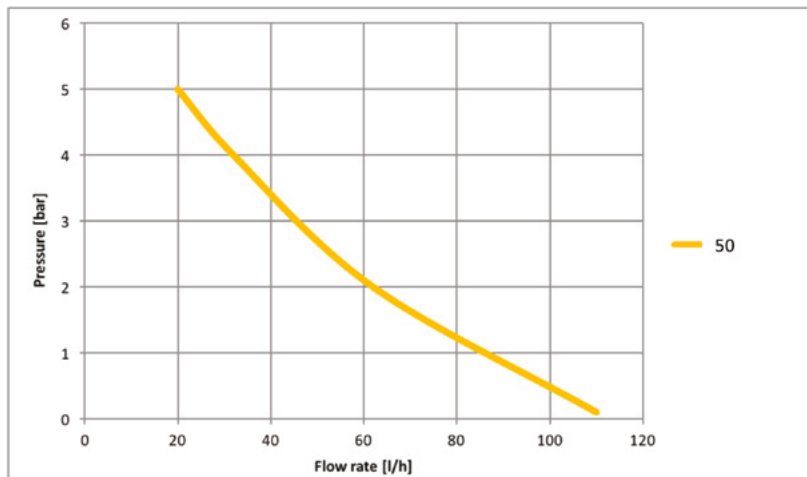
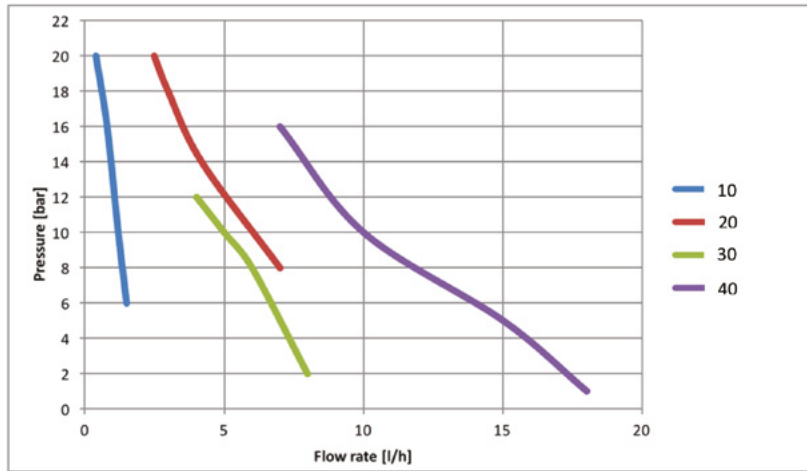
- Flow rate range: 0.4 - 110 l/h
- Stroke rate: 120 - 300 strokes/minute
- Maximum backpressure: 20 bar



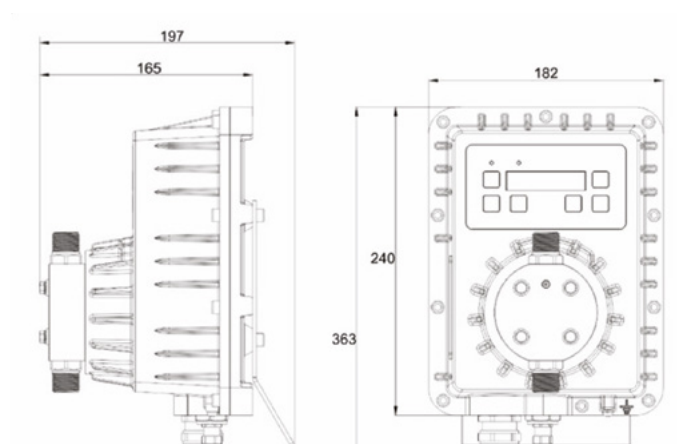
### Features

- SS316L pump body as standard
- Kit available in PVDF or PVDF-T
- Patented algorithm for solenoid operation
- Models available with 24Vac and 12Vdc power supply
- Available with special seals in PTFE or FFKM

## OG Series performance curves



## OG Series overall dimensional drawing



# O Series key code



Model									
OG	Digital interface - Constant flow rate, manually adjustable. Proportional flow rate according to an external analogic (4-20 mA) or digital signal (water meter, 1:n or n:1). Timer function, ppm proportional dosing. Statistic. Password Input ON-OFF (remote control). Available with communication via Modbus protocol.								
OK	Digital interface - Constant flow rate, manually adjustable. Timed dosing with a weekly programmable timer, programmable timed relay by activating a dry contact								
Hydraulics	Pressure [bar]	Flow rate [l/h]	Capacity [cc/stroke]	Frequency [stroke/1']	Ø Hydr Connections IN / EXT.[mm]				
10	20	0.4	0,06	120	4 / 7 discharge 4 / 6 suction				
	16	0.8	0,11						
	10	1.2	0,17						
	6	1.5	0,21						
20	20	2.5	0,35	120	4 / 7 discharge 4 / 6 suction				
	18	3	0,42						
	14	4.2	0,58						
	8	7	0,97						
30	12	4	0,42	160	4 / 6				
	10	5	0,52						
	8	6	0,63						
	2	8	0,83						
40	16	7	0,38	300	4 / 6				
	10	10	0,55						
	5	15	0,83						
	1	18	1,00						
50	5	20	1,11	300	8 / 12				
	4	32	1,78						
	2	62	3,44						
	0,1	110	6,11						
Power supply									
N	100÷240 Vac 50/60 Hz								
Liquid end					Body				
H					PVDF				
I					SS316L				
Installation kit					Body				
H					PVDF				
X					with 1.5 bar injection valve not for hydraulic 50				
0					without kit only with Liquid End "I"				
Seals									
0					FKM-B				
1					EPDM				
2					PTFE Standard with Liquid End "I"				
3					FFKM Installation kit with PTFE seals (not for Hydraulic 50)				
Market									
0									
Customisation					X ATEX				
Optional									
0									
OG	20	N	H	H	0	0	X	0	

Technical data can be changed without notice.

# OK Series Datasheet

## WALL-MOUNTED SOLENOID-DRIVEN DOSING PUMP

### General Information

Mytho's OK Series is a solenoid-driven dosing pump suitable for use in ATEX-certified areas and includes the following functions:

- Constant flow rate, manually adjustable
- Timed with a weekly timer to program at maximum 10 feed times
- Programmable timed relay by activation of a dry contact

With five models in the range, the OK Series covers a wide range of performances including flow rates from 0.4 to 110 l/h and backpressure from 0.1 to 20 bar. The power supply is 100÷240 Vac – 50/60 Hz, therefore the same pump can operate with different supply voltage.

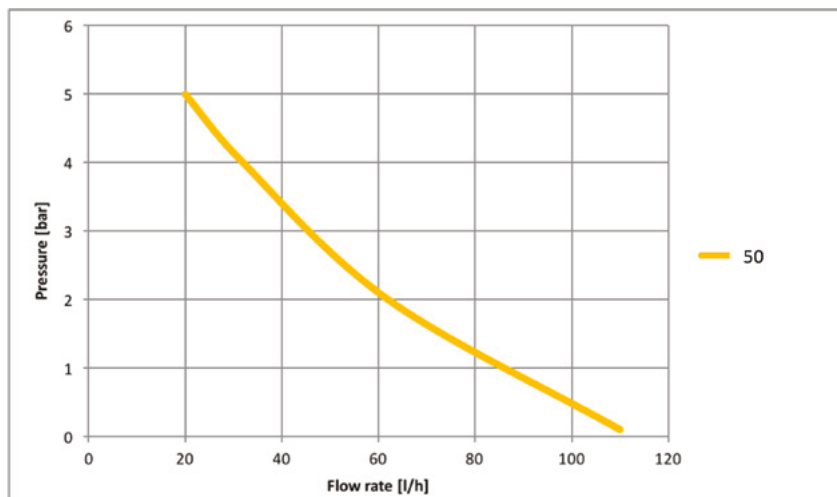
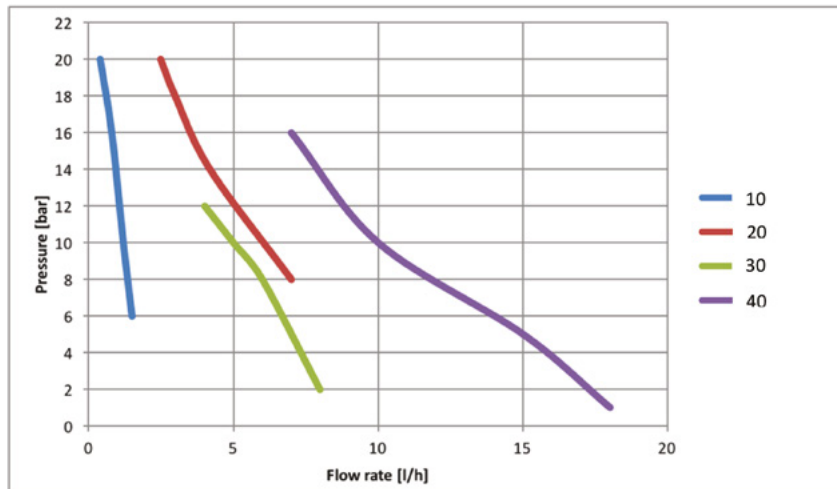
The OK Series' pump head comes in SS316 or PVDF for high chemical compatibility while the pump is designed for use in ambient temperatures up to 40°C and relative humidity as high as 90%, protected from direct sunlight and extreme weather conditions.



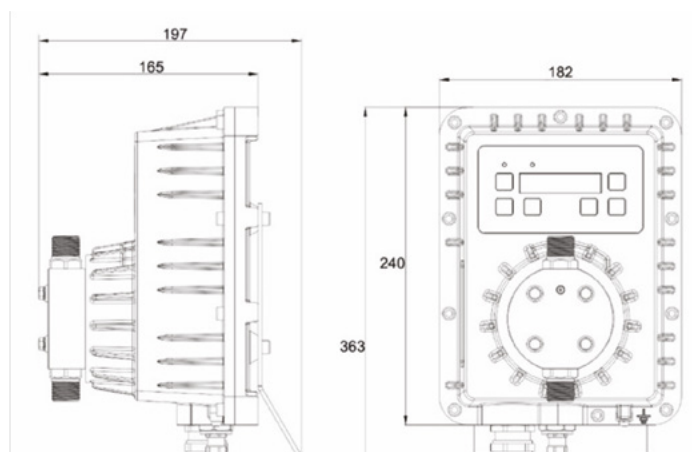
### Features

- Flow rates: 0.4 - 110 l/h
- Max. backpressure: up to 20 bar
- Power supply: 100÷240 Vac - 50/60 Hz
- Stroke rate: 120 - 300 strokes/minute
- Pump head: SS316L-PVDF
- Diaphragm: PTFE
- External enclosure: PP reinforced with IP65-rated fibreglass
- Manual priming valve
- Installation kit not included (except for PVDF)

## OK Series performance curves



## OK Series overall dimensional drawing



# O Series key code



## Model

**OG** Digital interface - Constant flow rate, manually adjustable. Proportional flow rate according to an external analogic (4-20 mA) or digital signal (water meter, 1:n or n:1). Timer function, ppm proportional dosing. Statistic. Password Input ON-OFF (remote control). Available with communication via Modbus protocol.

**OK** Digital interface - Constant flow rate, manually adjustable. Timed dosing with a weekly programmable timer, programmable timed relay by activating a dry contact

Hydraulics	Pressure [bar]	Flow rate [l/h]	Capacity [cc/stroke]	Frequency [stroke/1']	Ø Hydr Connections IN / EXT.[mm]
10	20	0.4	0,06	120	4 / 7 discharge 4 / 6 suction
	16	0.8	0,11		
	10	1.2	0,17		
	6	1.5	0,21		
20	20	2.5	0,35	120	4 / 7 discharge 4 / 6 suction
	18	3	0,42		
	14	4.2	0,58		
	8	7	0,97		
30	12	4	0,42	160	4 / 6
	10	5	0,52		
	8	6	0,63		
	2	8	0,83		
40	16	7	0,38	300	4 / 6
	10	10	0,55		
	5	15	0,83		
	1	18	1,00		
50	5	20	1,11	300	8 / 12
	4	32	1,78		
	2	62	3,44		
	0,1	110	6,11		

### Power supply

**N** 100÷240 Vac 50/60 Hz

Liquid end	Body
<b>H</b>	PVDF
<b>I</b>	SS316L

Installation kit	Body
<b>H</b>	PVDF
<b>X</b>	with 1.5 bar injection valve
<b>0</b>	without kit

Seals	Standard with Liquid End "I"	Installation kit with PTFE seals (not for Hydraulic 50)
<b>0</b>	FKM-B	
<b>1</b>	EPDM	
<b>2</b>	PTFE	
<b>3</b>	FFKM	

### Market

**0**

**X** ATEX

### Customisation

**Optional**

**0**

OG 20 N H H 0 0 X 0