

TG Series Datasheet

SOLENOID-DRIVEN PUMP WITH MECHANICAL STROKE-LENGTH REGULATION

General Information

Mytho's TG Series is a digital dosing pump with constant flow rate, which is manually adjustable by a keyboard (frequency) mounted on the rear panel. Proportional flow rate is managed according to an external analogic (4-20 mA) or digital signal (water meter, 1:n or n:1).

- Timer function
- ppm proportional dosing
- Statistics
- Password
- Input On-Off (remote control)

With four models in the range, the TG Series covers a wide range of performances including flow rates from 2.5 to 110 l/h and back pressure from 0.1 to 20 bar. The power supply is 100÷240 Vac – 50/60 Hz, therefore the same pump can operate with different supply voltage.

The TG Series' pump head comes in PVDF for high chemical compatibility while the pump is designed for use in ambient temperatures up to 40°C and relative humidity as high as 90%, protected from direct sunlight and extreme weather conditions.

This system is equipped with a manual priming pump for start up and features convenient connectors external to the pump for signal input, in order to avoid opening the pump to making connections. The pump is furnished with a complete standard installation kit, which includes: PVDF foot filter and injection valve, PVC suction and bleed tube plus PVDF delivery tube.



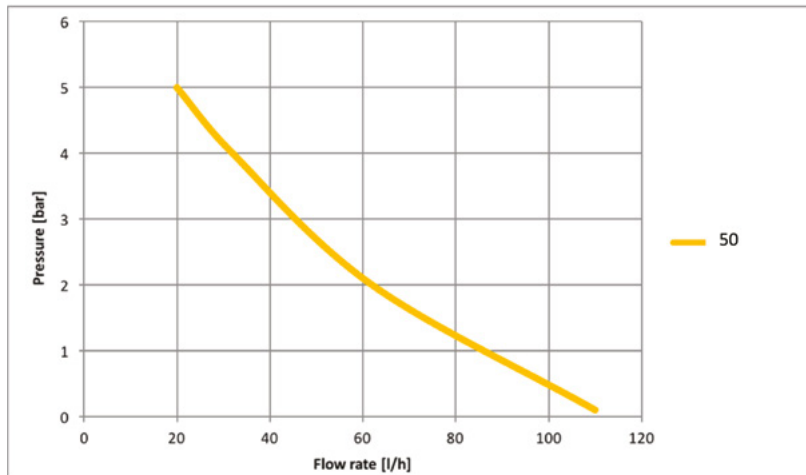
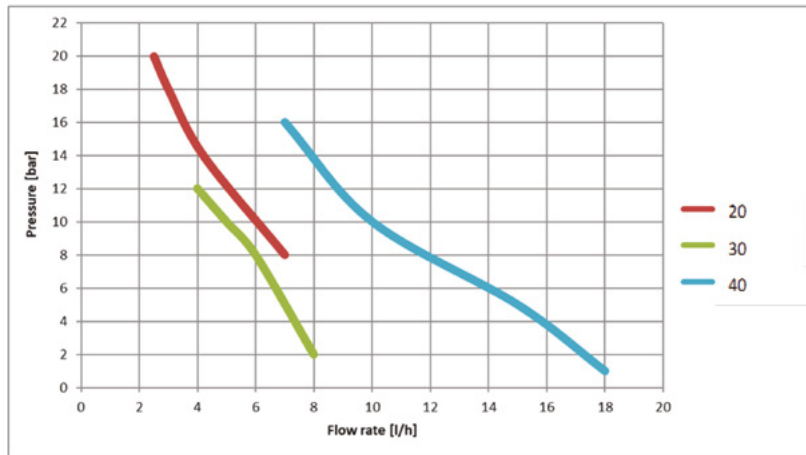
Features

- Flow rates: 2.5 - 110 l/h
- Max. backpressure: up to 20 bar
- Power supply: 100÷240 Vac - 50/60 Hz
- Stroke rate: 120 - 300 strokes/minute
- Manual stroke length adjustment
- Pump head: PVDF
- Diaphragm: PTFE
- External enclosure: PP reinforced with IP65-rated fibreglass
- Manual priming valve
- Installation kit included

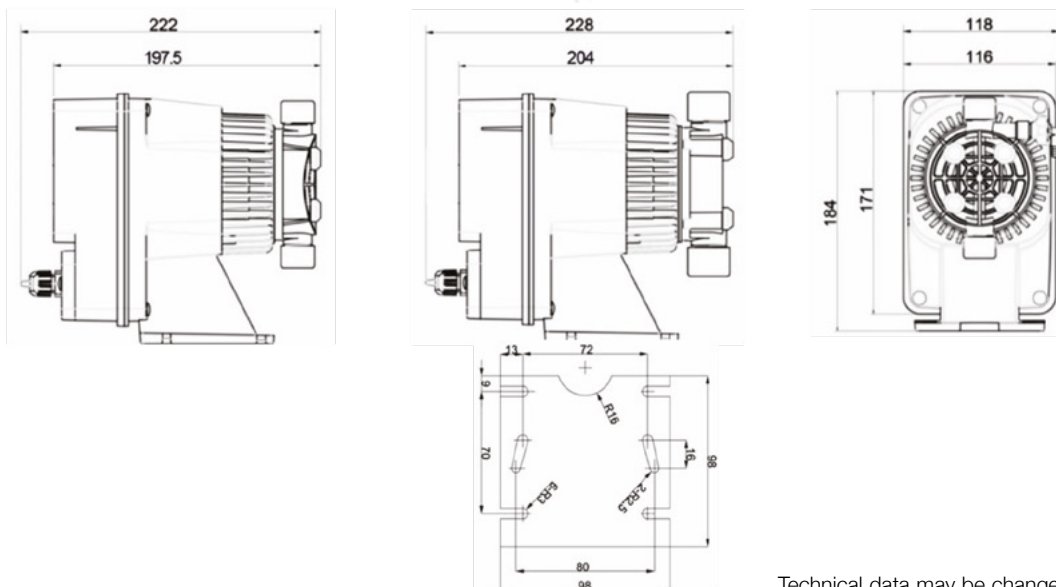
Applications

- Wastewater treatment
- Dairy
- CIP
- Fish farming
- Drinking water
- Cooling towers
- Boiler
- Reverse osmosis
- Galvanic industry
- Irrigation

TG Series performance curves



TG Series overall dimensional drawing



Technical data may be changed without notice.

T Series key code

Model

TL Digital interface - Constant flow rate manually adjustable. Available with stroke length regulation.

TG Digital interface - Constant flow rate, manually adjustable. Available with stroke length regulation. Proportional flow rate according to an external analogue (4-20 mA) or digital signal (water meter, 1:n or n:1). Timer function, ppm proportional dosing. Statistics. Password Input ON-OFF (remote control). Available with Modbus protocol.

Hydraulics	Pressure [bar]	Flow rate [l/h]	Capacity [cc/stroke]	Frequency [stroke/1']	Ø Hydr Connections IN / EXT.[mm]
20	20	2,5	0,35	120	4 / 6
	18	3	0,42		
	14	4,2	0,58		
30	8	7	0,97	160	4 / 6
	12	4	0,42		
	10	5	0,52		
40	8	6	0,63	300	4 / 6
	2	8	0,83		
	16	7	0,38		
50	10	10	0,55	300	8 / 10
	5	15	0,83		
	1	18	1,00		
50	5	20	1,11	300	8 / 10
	4	32	1,78		
	2	62	3,44		
50	0,1	110	6,11	300	8 / 10

Power supply

N 100÷240 Vac 50/60 Hz

Liquid end Body

H PVDF Standard

A PVDF - automatic degassing not for hydraulic 50

I SS316L

Installation kit Body

H PVDF Standard

X with 1.5 bar injection valve not for hydraulic 50

0 WITHOUT kit only with Liquid End "I"

Seals

0 FKM-B

1 EPDM

2 PTFE

3 FFKM Installation kit with PTFE seals (not for Hydraulic 50)

Market

0

Customisation

N

Optional

0 Standard

M Modbus

TG 30 N H H 0 0 N 0

TL Series Datasheet

SOLENOID-DRIVEN PUMP WITH MECHANICAL STROKE-LENGTH REGULATION

General Information

Mytho's Hyperion TL Series is a digital dosing pump with constant flow rate, which is manually adjustable by a keyboard (frequency) mounted on the rear panel.

With four models in the range, the TL Series covers a wide range of performances including flow rates from 2.5 to 110 l/h and back pressure from 0.1 to 20 bar. The power supply is 100÷240 Vac – 50/60 Hz, therefore the same pump can operate with different supply voltage.

The TL Series' pump head comes in PVDF for high chemical compatibility while the pump is designed for use in ambient temperatures up to 40°C and relative humidity as high as 90%, protected from direct sunlight and extreme weather conditions.

This system is equipped with a manual priming pump for start up and features convenient connectors external to the pump for signal input, in order to avoid opening the pump to making connections. The pump is furnished with a complete standard installation kit, which includes: PVDF foot filter and injection valve, PVC suction and bleed tube plus PVDF delivery tube.



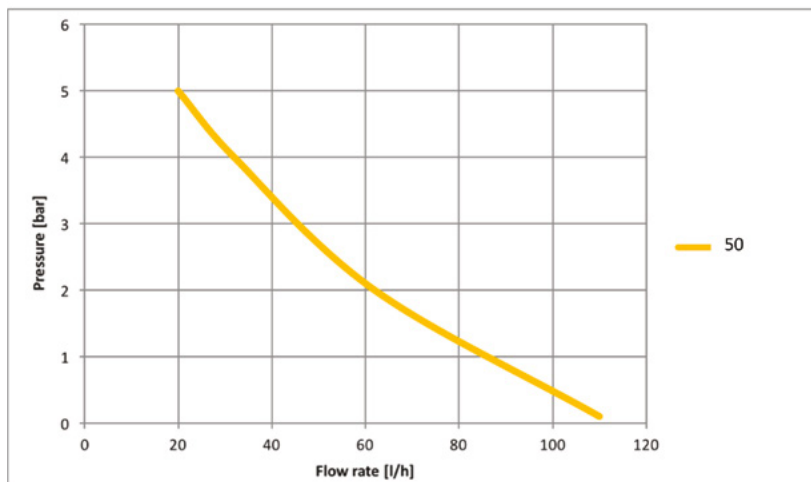
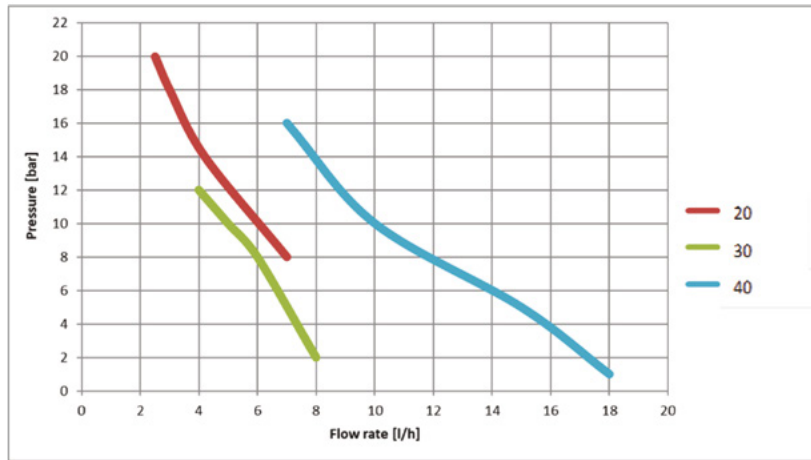
Features

- Flow rates: 2.5 - 110 l/h
- Max. backpressure: up to 20 bar
- Power supply: 100÷240 Vac - 50/60 Hz
- Stroke rate: 120 - 300 strokes/minute
- Manual stroke length adjustment
- Pump head: PVDF
- Diaphragm: PTFE
- External enclosure: PP reinforced with IP65-rated fibreglass
- Manual priming valve
- Installation kit included

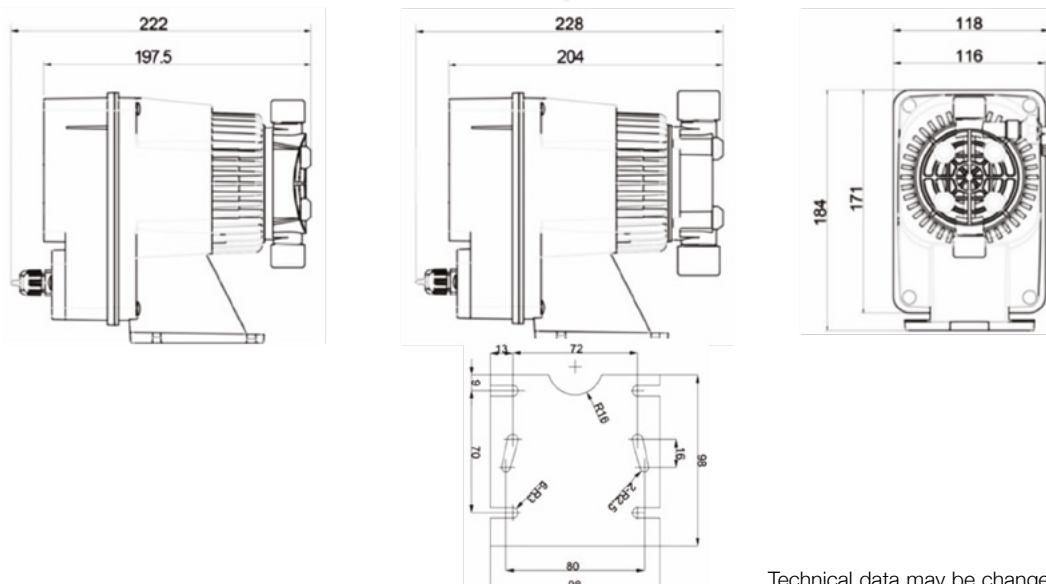
Applications

- Wastewater treatment
- Dairy
- CIP
- Fish farming
- Drinking water
- Cooling towers
- Boiler
- Reverse osmosis
- Galvanic industry
- Irrigation

TL Series performance curves



TL Series overall dimensional drawing



Technical data may be changed without notice.

T Series key code

Model

TL Digital interface - Constant flow rate manually adjustable. Available with stroke length regulation.

TG Digital interface - Constant flow rate, manually adjustable. Available with stroke length regulation. Proportional flow rate according to an external analogue (4-20 mA) or digital signal (water meter, 1:n or n:1). Timer function, ppm proportional dosing. Statistics. Password Input ON-OFF (remote control). Available with Modbus protocol.

Hydraulics	Pressure [bar]	Flow rate [l/h]	Capacity [cc/stroke]	Frequency [stroke/1']	Ø Hydr Connections IN / EXT.[mm]
20	20	2,5	0,35	120	4 / 6
	18	3	0,42		
	14	4,2	0,58		
30	8	7	0,97	160	4 / 6
	12	4	0,42		
	10	5	0,52		
40	8	6	0,63	300	4 / 6
	2	8	0,83		
	16	7	0,38		
50	10	10	0,55	300	8 / 10
	5	15	0,83		
	1	18	1,00		
50	5	20	1,11	300	8 / 10
	4	32	1,78		
	2	62	3,44		
50	0,1	110	6,11		

Power supply

N 100÷240 Vac 50/60 Hz

Liquid end Body

H PVDF Standard

A PVDF - automatic degassing not for hydraulic 50

I SS316L

Installation kit Body

H PVDF Standard

X with 1.5 bar injection valve not for hydraulic 50

0 WITHOUT kit only with Liquid End "I"

Seals

0 FKM-B

1 EPDM

2 PTFE

3 FFKM Installation kit with PTFE seals (not for Hydraulic 50)

Market

0

Customisation

N

Optional

0 Standard

M Modbus

TG 30 N H H 0 0 N 0