

# NY Series Datasheet

## MECHANICAL-RETURN DIAPHRAGM DOSING PUMP

### General Information

Mytho's NY Series dosing pumps offer a high level of reliability with outstanding value for applications up to 10 bar and flow rates as high as 2,300 l/h.

These compact, lightweight and robust dosing pumps are designed for low discharge pressures, durability and cost-effectiveness within the water treatment and clean-in-place applications.

Designed to provide reduced overall operating costs over time, the NY Series' mechanically-actuated PTFE diaphragm increases operational life by eliminating the stresses inherent in most pump designs.

Mytho systems are multi-purpose pumps and can handle all known reagents as well as being recommended for continuous service and safe dry running.

NY Series pumps incorporate a variable eccentric system to minimise pulsation and shock while durable, metallic housings withstand tough environments and are suitable for a large number of industrial uses such as the injection of reagents at medium pressure.

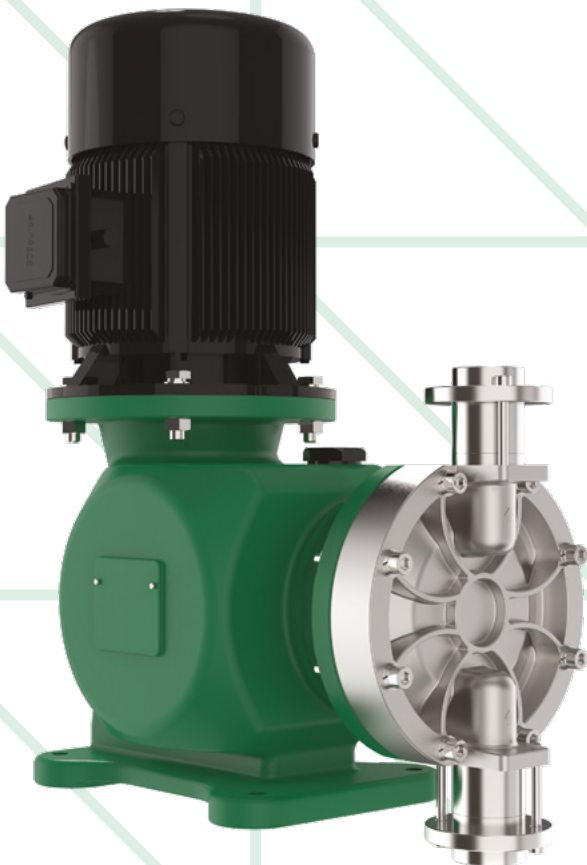
NY Series pump flow rates can be adjusted both while stopped or during operation from 0 to 100%, with a maximum temperature of pumped liquid up to 40 °C aimed at delivering exceptional performance across a wide range of flow and pressure environments.

### Features

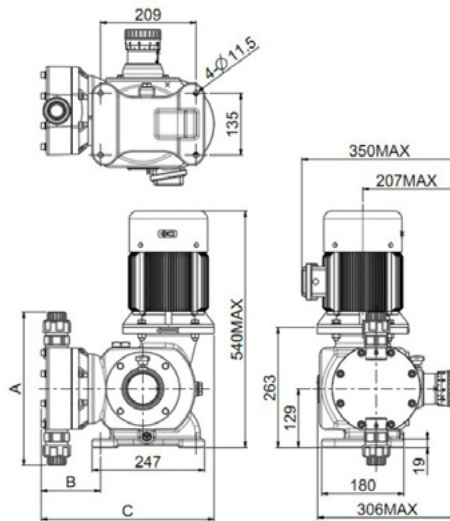
- Flow rates: up to 2.300 l/h
- Pressure: up to 10 bar
- Mechanically actuated PTFE diaphragm
- Flow rate adjustment: 0 - 100%
- Stroke rate: 43 / 86 / 131 / 175 strokes/minute
- Stroke length: 7 / 8 / 9 / 15 mm
- Diaphragm diameter: 124 / 140 / 157 / 179 mm
- Motor: 0.55 / 0.75 / 1.1. kW
- Maximum temperature of pumped liquid: 40° C
- For use in ambient temperatures between +5°C and +55°C
- Stroke adjustment with locking system
- Enclosure protection class: IP55
- Pump head material: SS316 L, PVDF

### Applications

- Wastewater treatment
- Dairy
- CIP
- Fish farming
- Fish farming
- Cooling towers
- Reverse osmosis
- Galvanic industry
- Irrigation



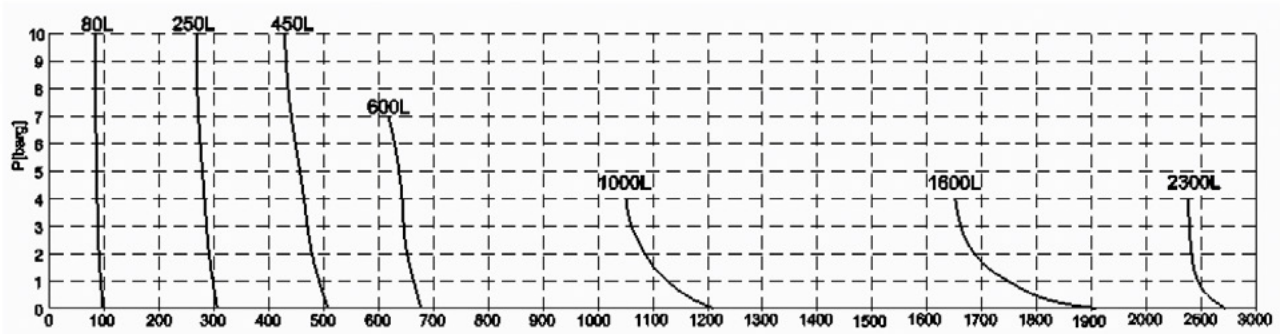
## NY Series overall dimensional drawing



NY Pump Head Material	Diaphragm dia. 124mm			Diaphragm dia. 140mm			Diaphragm dia. 157mm			Diaphragm dia. 179mm						
	Connection	A	B	C	Connection	A	B	C	Connection	A	B	C	Connection	A	B	C
PVDF	BSPf 3/4"	293	123	372	BSPf 1"	316	129	377	BSPf 1"	334	130	379	BSPf 1 1/2"	424	148	395
SS316L	BSPf 3/4"	216	108	357	BSPf 1"	251	130	378	BSPf 1"	295	132	381	BSPf 1 1/2"	382	160	407

## NY Series hydraulic information

Model	Diameter [mm]	Stroke length [mm]	Frequency [stroke/1']	Flow rate [l/h]	Max pressure [bar]	Connections		Motor/3ph [kW/pole]
						SS316L	PVDF	
NYD124T**C40000	124	7	43	80	10	BSPf 3/4"	BSPf 3/4"	0.55 / 4
NYD124T**C40000			131	250				
NYC124Z**C40000			450					
NYC140Z**C40000	140	8	175	600	7	BSPf 1"	BSPf 1"	0.75 / 4
NYB157Z**C40000	157		9	1,000				
NYA179Y**D40000	179	15	131	1,600	4	BSPf 1 1/2"	BSPf 1 1/2"	1.1 / 4
NYA179Z**E40000			175	2,300				



## NY Series key code

Model								
NY								
Stroke length								
D	6.7 mm							
C	8 mm							
B	9 mm							
A	15 mm							
Diaphragm diameter								
124	124 mm							
140	140 mm							
157	157 mm							
179	179 mm							
Reducer ratio								
T	32:1	Stroke/min [4 poles motor]						
W	16:1	43						
Y	11:1	86						
Z	8:1	131						
Liquid end								
AA	SS316L	PTFE	Diaph.	Valve	Seat	O-ring		
PV	PVC			SS36L	Ceramic	SS36L	FPM	
FF	PVDF				Ceramic	PVDF	FPM	
AE	SS316L				SS36L	SS36L	EPDM	
PE	PVC				Ceramic	PTFE	EPDM	
FE	PVDF				Ceramic	PVDF	EPDM	
Motor power								
0	Without motor							
C	0.55 kW	Size						
D	0.75 kW	M80-B5						
E	1.1 kW	M90s-B5						
Motor poles /phase								
0	Without motor							
2	2	Poles				Phases		
4	4	3				Power supply		
Customisation								
000								
Optional								
0	Standard or without motor							
S	Self-ventilated							
NY	B	157	W	AA	D	4	000	0