

R1 Series Datasheet

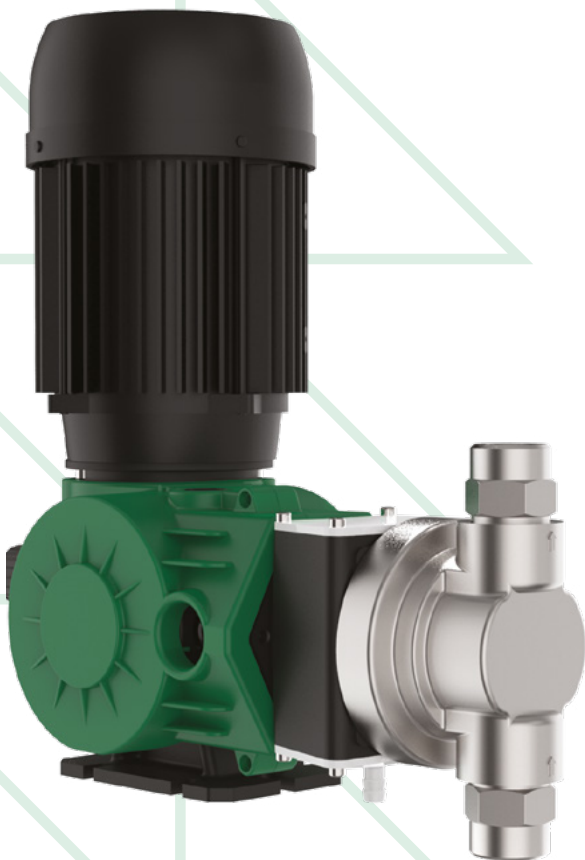
SPRING-RETURN PLUNGER PISTON DOSING PUMP

General Information

Mytho's R1 plunger piston pump series covers flow rates from 1.5 to 304 l/h and backpressure up to 20 bar, with several configurations available for pump head and power. This makes the range suitable for multiple processes across the water-treatment sector.

R1 pumps feature a spring return mechanism into an aluminium housing, which is coated with cataphoresis treatment and protected by a PP casing for excellent durability.

Available with 3-phase or 1-phase IP55 motor, each model has two stroke rate values, which can be set manually or automatically using an actuator which accepts a 4÷20 mA signal.



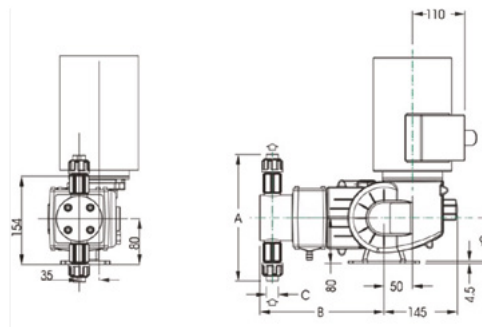
Features

- Flow rates: 1.5 - 304 l/h
- Max. backpressure: up to 20 bar
- Motor:
 - 0.18 kW - 3 ph (IP55)
 - 0.25 kW - 1 ph (IP55)
 - 0.37 kW - 3 ph or 1 ph (IP55)
- Stroke rate: 58 – 116 strokes/minute
- Stroke length: 15 mm
- Plunger diameter: 6 - 64 mm
- Pump head:
 - SS316L
 - PVC
- Maximum dosing temperature:
 - SS316L 40°C
 - PVC 40°C
- For use in ambient temperatures between -5°C and +40°C

Applications

- Wastewater treatment
- Dairy
- CIP
- Fish farming
- Cooling towers
- Reverse osmosis
- Galvanic industry
- Irrigation

R1 Series overall dimensional drawing



Piston diameter	AISI 316 L				PVC			
	A	B	C	ext. head	A	B	C	ext. head
6	120	210	1/4" G F	68	157	216	1/4" G F	80
11	120	210	1/4" G F	68	157	216	1/4" G F	80
17	120	210	3/8" G F	68	147	216	3/8" G F	80
25	120	215	3/8" G F	68	147	225	3/8" G F	80
30	120	215	3/8" G F	68	147	225	3/8" G F	80
38	160	227	3/8" G F	88	168	235	3/8" G F	100
48	160	227	1/2" G F	88	196	240	1/2" G F	100
54	173	229	1/2" G F	108	216	240	1/2" G F	120
64	202	238	3/4" G F	108	222	250	3/4" G F	120

R1 Series hydraulic information

Model	Piston diameter	Strokes/min	Flow rate l/h	Max pressure				Connections		3-phase motor kW
				bar		psi		AISI 316	PVC	
				AISI 316	PVC	AISI 316	PVC			
R1B006U**A4000	6	58	1.5	20	10	290	145	1/4" G F	1/4" G F	0.18
R1B006X**A4000		116	3							
R1B011U**A4000	11	58	5	20	10	290	145	1/4" G F	1/4" G F	0.18
R1B011X**A4000		116	10							
R1B017U**A4000	17	58	11	20	10	290	145	3/8" G F	3/8" G F	0.18
R1B017X**A4000		116	22							
R1B025U**A4000	25	58	25	20	10	290	145	3/8" G F	3/8" G F	0.18
R1B025X**A4000		116	50							
R1B030U**B4000	30	58	35	20	10	290	145	3/8" G F	3/8" G F	0.25
R1B030X**B4000		116	70							
R1B038U**B4000	38	58	55	17	10	246.5	145	3/8" G F	3/8" G F	0.25
R1B038X**B4000		116	110							
R1B048U**B4000	48	58	85	10	10	145	145	1/2" G F	1/2" G F	0.25
R1B048X**B4000		116	170							
R1B054U**B4000	54	58	110	8	8	116	116	1/2" G F	1/2" G F	0.25
R1B054X**B4000		116	220							
R1B064U**B4000	64	58	152	6	4	87	58	3/4" G F	3/4" G F	0.25
R1B064X**B4000		116	304							

R1 Series key code

Model								
R1								
Stroke length								
B	15 mm							
Plunger diameter								
006	6 mm							
011	11 mm							
017	17 mm							
025	25 mm							
030	30 mm							
038	38 mm							
048	48 mm							
054	54 mm							
064	64 mm							
Reducer ratio		Stroke/min [4 poles motor]						
U	24:1	58						
X	12:1	116						
Liquid end	Pump head	Gasket	Plunger	Seat	O-ring	Ball valve		
AA	SS316L	FPM	SS316L	SS316L	FPM	SS316L		
AF	SS316L	EPDM	SS316L	SS316L	EPDM	SS316L		
PV	PVC	FPM	Ceramic	PTFE	FPM	Ceramic		
PE	PVC	EPDM	Ceramic	PTFE	EPDM	Ceramic		
Motor power		kW		Size		Power supply		
S0	Without motor							
A4	0,18		M63-B14		3PH 230/400V 50/60 Hz - TFC			
C4	0,37		M71-B14					
H4	0,25		M71-B14		1PH 230V - 50Hz			
L4	0,55		M80-B14					
C0	0,40		M71-B14		12Vdc			
Stroke length regulation								
0	Manual				[0-100% of stroke length]			
L	Electric Actuator				[4-20mA input/output]			
Customisation		Customisation						
0	0							
Optional								
0	Standard							
2	S0 (without motor) + adapter Kit							
E	Servoventilated (power supply 230V)							
M	Material certificate EN10204 -2.2							
R1	B	011	U	AA	A4	0	0	0