

R2 Series Datasheet

SPRING-RETURN PLUNGER PISTON DOSING PUMP

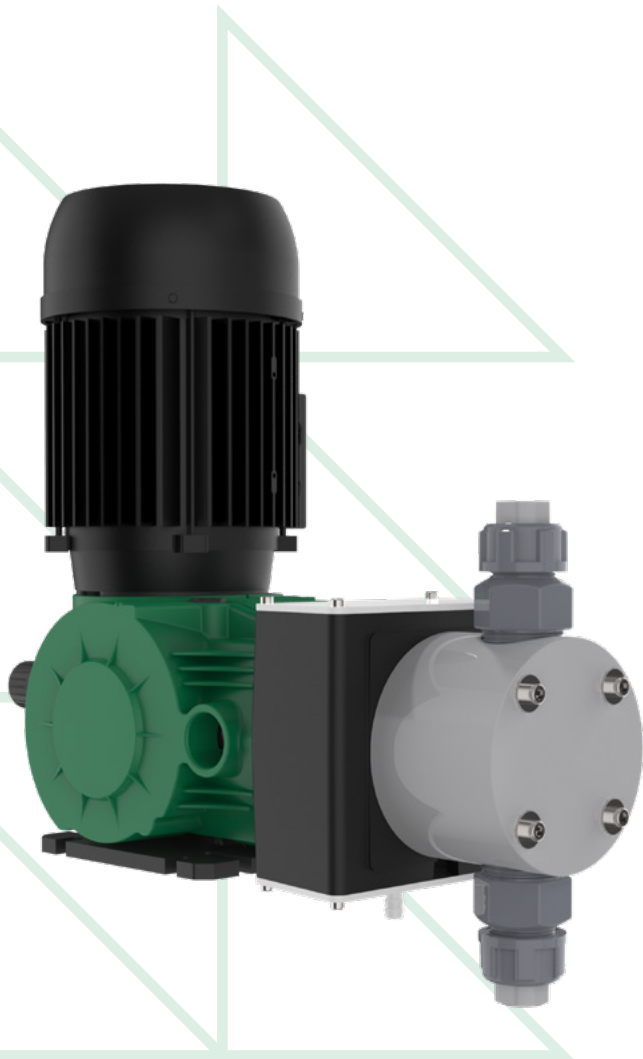
General Information

Mytho's R2 Series plunger piston pump is a high-performance dosing system covering flow rates from 40 to 1,000 l/h and backpressure up to 20 bar.

Featuring several configurations for pump head and power, the R2 Series is suited to a multitude of applications including wastewater treatment, clean-in-place and reverse osmosis.

R2 Series pumps include a spring return mechanism built into an aluminium housing, with each model featuring two stroke-rate values. Pumps boast a 25 mm stroke length which can be set manually or automatically via a linear actuator accepting a 4 – 20 mA signal.

R2 Series systems can be supplied with a 3-phase or single-phase electric motor rated for IP55 ingress protection.



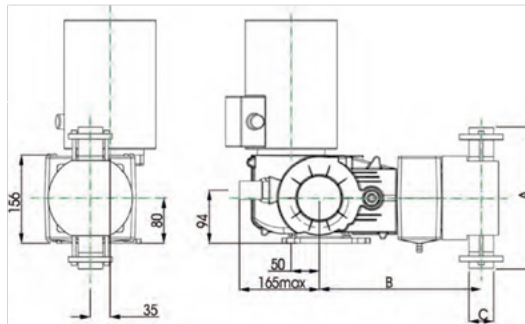
Features

- Flow rates: 40 - 1,000 l/h
- Max. backpressure: up to 20 bar (290 psi)
- Motor:
 - 0.25 kW - 0.75 kW - 3ph (IP55)
 - 0.37 kW - 1.1 kW 1ph (IP55)
- Stroke rate: 58 - 116 strokes/minute
- Stroke length: 25 mm
- Plunger diameter: 25 - 89 mm
- Pump head:
 - SS 316 L
 - PVC
- Maximum dosing temperature:
 - SS 316 L 90°C
 - PVC 40°C
- For use in ambient temperatures between +5°C and +40°C
- Storage temperature: -10°C to +50°C

Applications

- Wastewater treatment
- Dairy
- CIP
- Fish farming
- Cooling towers
- Reverse osmosis
- Galvanic industry
- Irrigation

R2 Series overall dimensional drawing



Piston diameter	AISI 316 L				PVC			
	A	B	C	ext. head	A	B	C	ext. head
25	120	258	3/8" G F	68	147	258	3/8" G F	80
30	120	258	3/8" G F	68	147	258	3/8" G F	80
38	120	268	1/2" G F	88	168	268	1/2" G F	100
48	120	268	1/2" G F	88	196	268	1/2" G F	100
54	120	268	1/2" G F	108	216	268	1/2" G F	120
64	160	273	3/4" G F	108	222	273	3/4" G F	120
76	160	288	1" G F	138	244	288	1" G F	148
89	173	288	1" G F	150	256	288	1" G F	160

R2 Series hydraulic information

Model	Piston diameter	Strokes/min	Flow rate l/h	Max pressure				Connections		3-phase motor kW
				bar		psi		AISI 316	PVC	
				AISI 316	PVC	AISI 316	PVC			
R2A025U**T4000	25	58	40	20	10	290	145	3/8" G F	3/8" G F	0.25
R2A025X**T4000		116	80							
R2A030U**T4000	30	58	55	20	10	290	145	3/8" G F	3/8" G F	0.25
R2A030X**T4000		116	112							
R2A038U**U4000	38	58	90	20	10	290	145	1/2" G F	3/8" G F	0.37
R2A038X**U4000		116	180							
R2A048U**D4000	48	58	140	20	10	290	145	1/2" G F	1/2" G F	0.55
R2A048X**D4000		116	284							
R2A054U**D4000	54	58	180	15	10	217.5	145	1/2" G F	1/2" G F	0.55
R2A054X**D4000		116	365							
R2A064U**E4000	64	58	250	10	10	145	145	3/4" G F	3/4" G F	0.75
R2A064X**E4000		116	505							
R2A076U**E4000	76	58	365	7	7	101.5	101.5	1" G F	1" G F	0.75
R2A076X**E4000		116	730							
R2A089U**E4000	89	58	495	5	8	72.5	72.5	1" G F	1" G F	0.75
R2A089X**E4000		116	1000							

R2 Series key code



Model									
R2									
Stroke length									
A	25 mm								
Plunger diameter									
025	25 mm								
030	30 mm								
038	38 mm								
048	48 mm								
054	54 mm								
054	64 mm								
076	76 mm								
089	89 mm								
Reducer ratio			Stroke/min [4-pole motor]						
U	24:1	58							
X	12:1	116							
Liquid end	Pump head	Gasket	Plunger	Seat	O-ring	Ball valve			
AA	SS316L	FPM	SS316L	SS316L	FPM	SS316L			
AF	SS316L	EPDM	SS316L	SS316L	EPDM	SS316L			
PV	PVC	FPM	Ceramic	PTFE	FPM	Ceramic			
PE	PVC	EPDM	Ceramic	PTFE	EPDM	Ceramic			
Motor power		kW	Size		Power supply				
S0	Without motor								
T4	0,25	M71-B5							
U4	0,37	M71-B5							
D4	0,55	M80-B14							
E4	0,75	M80-B14							
Z4	0,37	M71-B5							
L4	0,55	M80-B14							
M4	0,75	M80-B14							
N4	1,1	M80-B14							
Stroke length regulation									
0	Manual				[0-100% of stroke length]				
L	Electric Actuator				[4-20mA input/output]				
Customisation									
0	Standard								
Optional									
0	Standard								
2	S0 (without motor) + adapter Kit								
E	Servoventilated (power supply 230V)								
M	Material certificate EN10204 -2.2								
R2	A	025	U	AA	T4	0	0	0	0