

R2 HP Series Datasheet

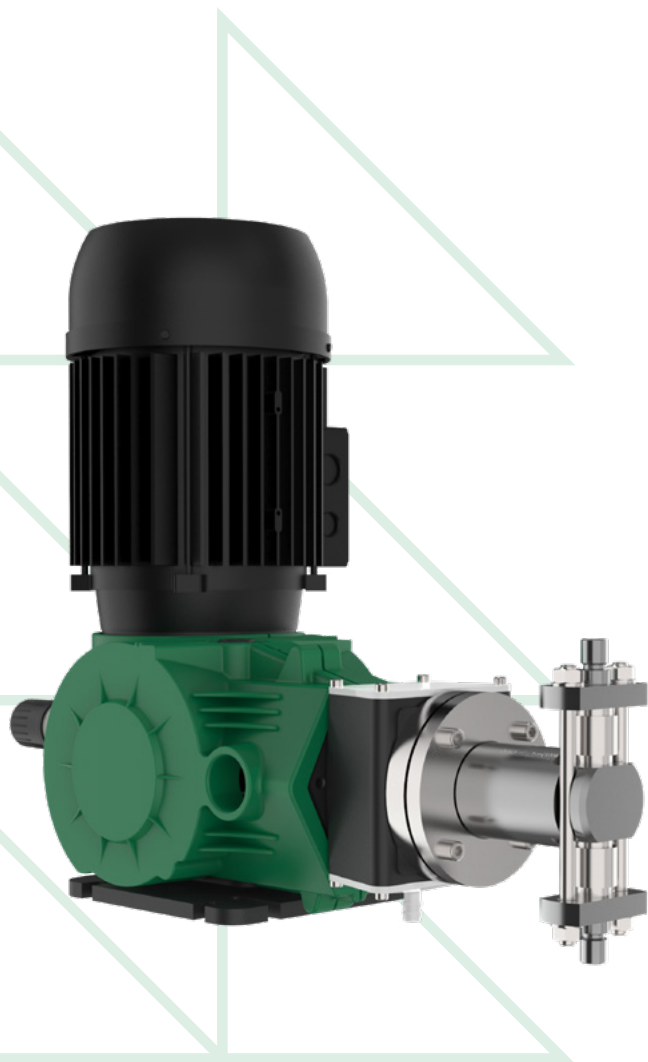
SPRING-RETURN PLUNGER PISTON DOSING PUMP

General Information

Mytho's R2 HP Series plunger piston pump is a high-performance dosing system covering flow rates from 2.5 to 12 l/h and backpressure up to 100 bar.

Featuring several configurations for pump head and power, the R2 Series is suited to a multitude of applications including injection of trisodium phosphate, oxygen scavenger and corrosion inhibitor.

R2 Series pumps include a spring return mechanism built into an aluminium housing, with each model featuring two stroke-rate values. Pumps boast a 25 mm stroke length which can be set manually or automatically via a linear actuator accepting a 4 – 20 mA signal.



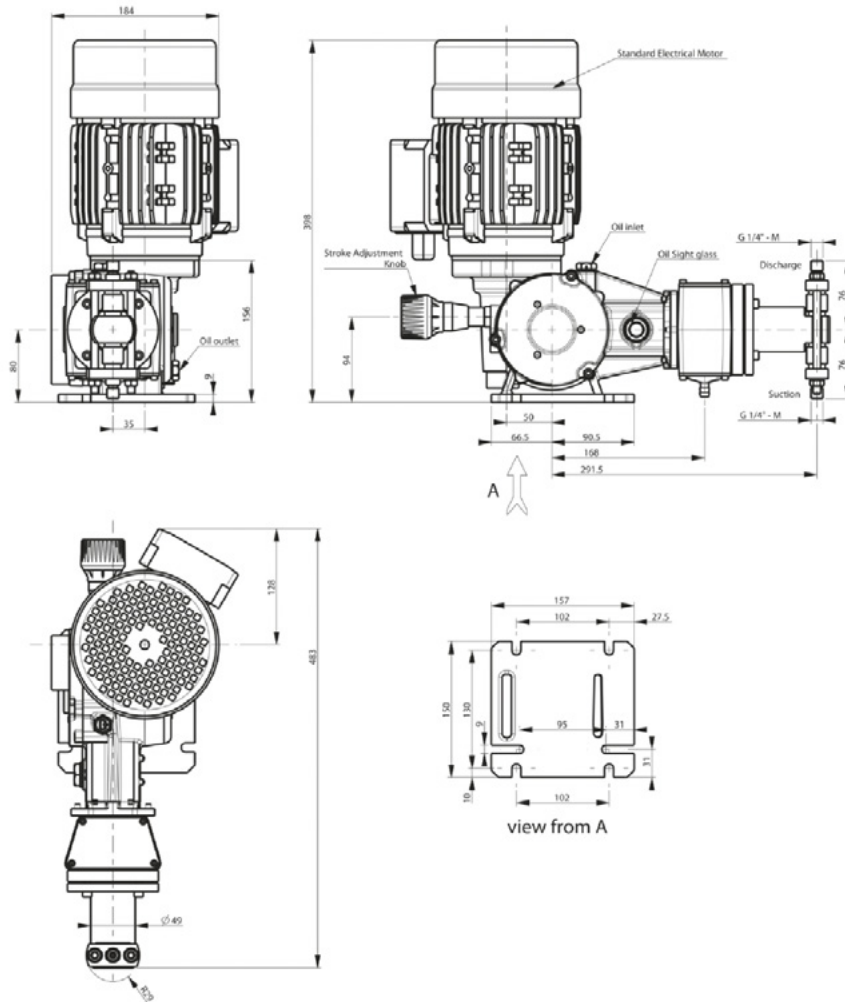
Features

- Flow rates: 2.5 - 12/h
- Max. backpressure: 100 bar
- Motor:
 - 0.55 kW - 0.75 kW - 3ph (IP55)
- Stroke rate: 58 - 116 strokes/minute
- Stroke length: 25 mm
- Plunger diameter: 6 or 10 mm
- Pump head:
 - SS 316 L
- Maximum dosing temperature:
 - SS 316 L 90°C
- For use in ambient temperatures between +5°C and +40°C
- Storage temperature: -10°C to +50°C

Applications

- Wastewater treatment
- Dairy
- CIP
- Fish farming
- Cooling towers
- Reverse osmosis
- Galvanic industry
- Irrigation

R2 Series overall dimensional drawing



R2 Series hydraulic information

| Model | Piston diameter | Stroke length [mm] | Frequency [stroke/1'] | Flow rate [Wh] | Max pressure [bar] | Connections | Motor [kW/pole] | Weight [kg] |
|----------------|-----------------|--------------------|-----------------------|----------------|--------------------|-------------|-----------------|-------------|
| R2A006UAPD40H0 | 6 | 25 | 58 | 2.5 | 100 | BSPm 1/4" | 0.55/4 (D4) | 10 |
| R2A006XAPD40H0 | | | 116 | 5 | | | | |
| R2A010UAPD40H0 | 10 | | 58 | 6 | | | | |
| R2A010XAPD40H0 | | | 116 | 12 | | | | |

R2 HP Series key code



| Model | | | | | | | | | | |
|---------------------------|-------------------------------------|---------|---|----|----|---|---|---|---------------------------------|--|
| R2 | | | | | | | | | | |
| Stroke length | | | | | | | | | | |
| A | 25 mm | | | | | | | | | |
| Plunger diameter | | | | | | | | | | |
| 006 | 6 mm | | | | | | | | | |
| 010 | 10 mm | | | | | | | | | |
| Reducer ratio | | | | | | | | | | |
| U | 24:1 | 58 | | | | | | | | |
| X | 12:1 | 116 | | | | | | | | |
| Stroke/min [4-pole motor] | | | | | | | | | | |
| Liquid end | | | | | | | | | | |
| AP | SS316L | | | | | | | | | |
| Pump head | | | | | | | | | | |
| SS316L | | | | | | | | | | |
| Gasket | | | | | | | | | | |
| NBR+PTFE | | | | | | | | | | |
| Plunger | | | | | | | | | | |
| SS316L | | | | | | | | | | |
| Seat | | | | | | | | | | |
| SS316L | | | | | | | | | | |
| O-ring | | | | | | | | | | |
| FPM | | | | | | | | | | |
| Ball valve | | | | | | | | | | |
| SS316L | | | | | | | | | | |
| Motor power kW | | | | | | | | | | |
| S0 | Without motor | | | | | | | | | |
| D4 | 0,55 | M80-B14 | | | | | | | 3 PH 230/400V 50/60 Hz - TFC | |
| Size | | | | | | | | | | |
| Power supply | | | | | | | | | | |
| Stroke length regulation | | | | | | | | | | |
| 0 | Manual | | | | | | | | [0-100% of stroke length] | |
| L | Electric Actuator | | | | | | | | [4-20mA input/output] | |
| Customisation | | | | | | | | | | |
| H | High pressure | | | | | | | | Standard | |
| Optional | | | | | | | | | | |
| 0 | Standard | | | | | | | | | |
| 2 | S0 (without motor) + adapter Kit | | | | | | | | | |
| E | Servoventilated (power supply 230V) | | | | | | | | | |
| M | Material certificate EN10204 -2.2 | | | | | | | | | |
| R2 | A | 010 | U | AP | D4 | 0 | H | 0 | | |